

Service Manual

74 SC80/02B/02G

Stereo Control Amplifier

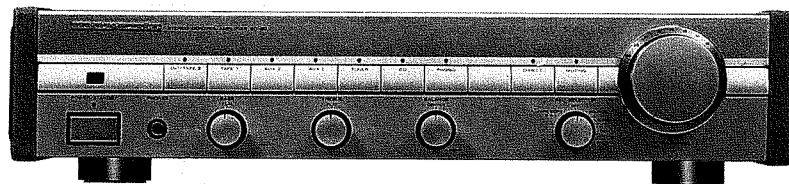


TABLE OF CONTENTS

| SECTION | PAGE |
|--|------|
| 1. BLOCK DIAGRAM | 1 |
| 2. SCHEMATIC DIAGRAM AND PARTS LOCATION (Pattern Side) | 2 |
| 3. EXPLODED VIEW AND PARTS LIST | 14 |
| 4. ELECTRICAL PARTS LIST | 16 |

marantz®

model SC-80

First issue: 1990

4822 725 50922

MARANTZ DESIGN AND SERVICE

Using superior design and selected high grade components, MARANTZ company has created the ultimate in stereo sound.

Only **original MARANTZ parts** can insure that your MARANTZ product will continue to perform to the specifications for which it is famous.

Parts for your MARANTZ equipment are generally available to our National Marantz Subsidiary or Agent.

ORDERING PARTS:

Parts can be ordered either by mail or by telex. In both cases, correct part number has to be specified. The following information must be supplied to eliminate delays in processing your order:

1. Complete address
2. Complete part numbers and quantities required
3. Description of parts
4. Model number for which part is required
5. Way of shipment
6. Signature: any order form or telex must be signed otherwise such part order will be considered as null and void.

PARTS ORDERING

Parts may be ordered at the following addresses:

| | | | | |
|--|---|---|--|--|
| <p>AUSTRIA HORNYPHON Vertriebsgesellschaft GmbH Wienerbergstrasse 1 A 1101 Wien Austria Telex: 132.332</p> | <p>FINLAND MARANTZ DIVISION OF OY PHILIPS Ab Kaivokatu 8 00100 Helsinki Finland Telex: 124811</p> | <p>GREAT BRITAIN MARANTZ AUDIO U.K. Ltd Unit 15/16 Saxon Way Industrial Estate Moor Lane Harmondsworth UB7 OLW Great Britain Telex: 935196</p> | <p>SAUDI ARABIA AL ALAMIAH ELECTRONICS P.O.Box 5954 University Street Riyadh 11432 Saudi Arabia Telex: 401530</p> | <p>SWITZERLAND MARANTZ Technischer Service Duenstrasse 3 3186 Dürdingen Switzerland</p> |
| <p>BELGIUM SVD DIVISION MARANTZ Industrialaan 1 1720 Groot-Bijgaarden Belgium Telex: 24466</p> | <p>FRANCE MARANTZ FRANCE 4 Rue Bernard Palissy 92600 Asnières France Telex: 611651</p> | <p>GREECE SHERTON ELECTRONICS S.A. P.O.Box 21025 Hippocrates Street 188 Athens 11471 Greece Telex: 216.795</p> | <p>SOUTH AFRICA MARANTZ DIVISION OF PHILIPS S.A. Main Road Martindale P.O. Box: 58088 Newville 21114 South Africa</p> | <p>TURKEY DOGRUOL Ltd. I.M.C. 6 Blok N°6310 Unkapani Istanbul Turkey Telex: 22085</p> |
| <p>CHILE MARANTZ DIVISION OF PHILIPS S.A. AV. Santa Maria, 0760 Casilla 2687 Santiago Telex: 240.239</p> | <p>GERMANY MARANTZ GERMANY GmbH Alexanderstrasse 1 2000 Hamburg Germany</p> <p>THE NETHERLANDS Elpro Marantz Wint Hontlaan 28 3526 KV Utrecht The Netherlands Telex: 4748</p> | <p>JAPAN MARANTZ JAPAN, Inc. 35-1, 7-chome, Sagamiono Sagamihara-shi, Kanagawa Japan</p> | <p>SPAIN PHONO S.A. Ignacio Iglesias 10 Badalona (Barcelona) Spain Telex: 59355</p> | <p>MALTA CACHIA & GALEA Republic Street, 68D Valetta Telex: 1682</p> |
| <p>DENMARK MARANTZ DIVISION OF PHILIPS SERVICE A/S Prags Boulevard 80 Postbox 1919 DK-2300 København S Denmark Telex: 31201</p> | <p>NORWAY MARANTZ DIVISION OF PHILIPS A/S Sandstuveien 40 0680 Oslo 6 Norway Telex: 72640</p> | <p>KUWAIT AL ALAMIAH ELECTRONICS Ussama Building Fahd al Saleem Street P.O.Box 23781 Safat-Kuwait Telex: 22694</p> | <p>SWEDEN MARANTZ DIVISION OF PHILIPS Försäljning AB Tegeluddsvägen 1 S-115 84 Stockholm Sweden Telex: 14060</p> | <p>PORTUGAL MARANTZ Divisao philips S.A. service Ourela-carnaxide 2795 LinDA-A-VELHA Telex: 43906</p> |
| <p>ITALY MARANTZ ITALIANA S.P.A. Via Chiese, 74 20126 Milano Italy</p> | | | | |

TECHNICAL SPECIFICATIONS (DIN)

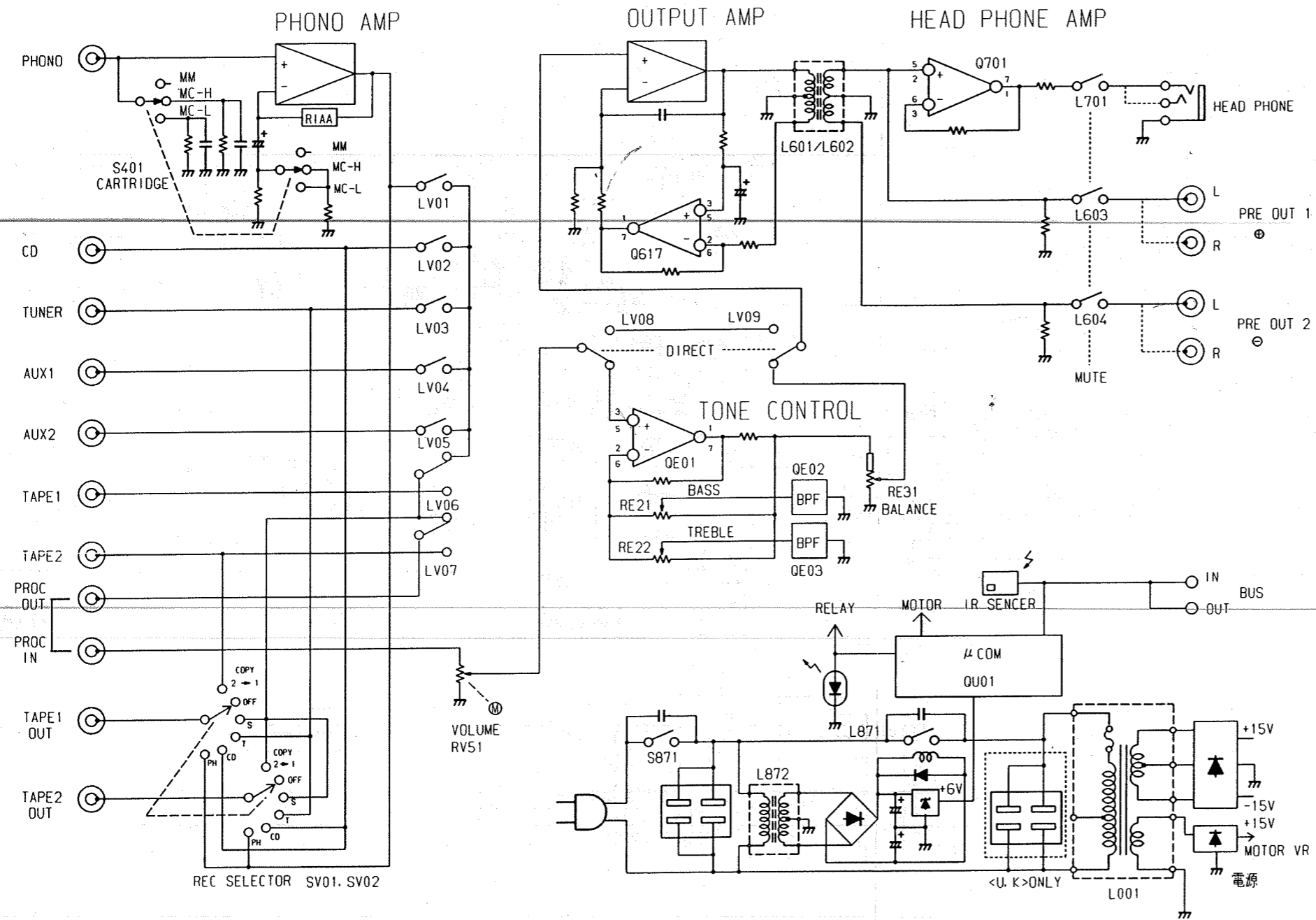
| | |
|---|------------------|
| Frequency Response | |
| PHONO (20 Hz-20 kHz) | ±0.2 dB |
| High Level (20 Hz-20 kHz) | ±0.2 dB |
| THD | |
| 1V output (20 Hz-20 kHz) | 0.015% |
| S/N Ratio (ref. 0.5V output A-weighted) | |
| PHONO (MC) (500 µV input) | 75 dB |
| PHONO (MM) (5 mV input) | 90 dB |
| High Level (0.5 V input) | 95 dB |
| S/N Ratio Vol. max. (ref. 1V output A-weighted) | |
| PHONO (MC) (0.22 mV input) | 69 dB |
| PHONO (MM) (2.5 mV input) | 88 dB |
| High Level (150 mV input) | 115 dB |
| Input Sensitivity/Impedance | |
| PHONO (MC Low) | 0.22 mV/130 ohms |
| PHONO (MC High) | 0.17 mV/1k ohms |
| PHONO (MM) | 2.5 mV/47k ohms |
| High Level | 150 mV/20k ohms |
| Phono Overload (1% THD, 1 kHz) | |
| MC Low | 12 mV |
| MM | 160 mV |
| Output Level (ref./ max) | 1 V/3 V |
| Muting Attenuation | ∞ |
| Power Consumption | 15 W |
| Dimensions | |
| Panel Width | 420 mm |
| Panel Height | 86 mm |
| Depth | 334 mm |
| Weight | |
| Unit alone | 5.6 kg |

Specifications subject to change without prior notice.

All of the above locations are fully equipped to take care of your total service needs. Because various countries have differing configuration requirements, it is necessary that you contact the service facility in your particular country. In the event that there is no service location listed for your country, please, contact the nearest facility for the necessary assistance.

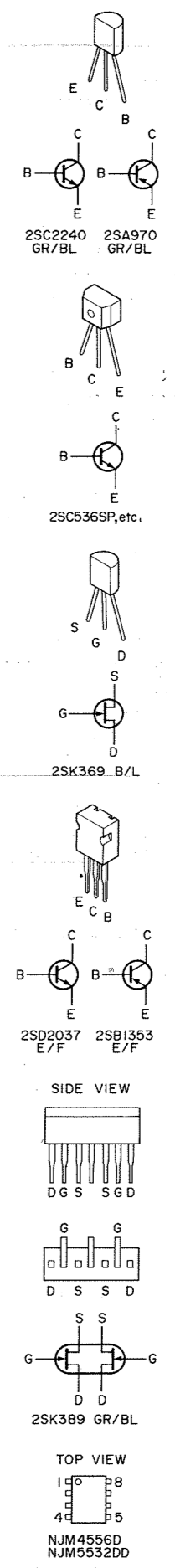
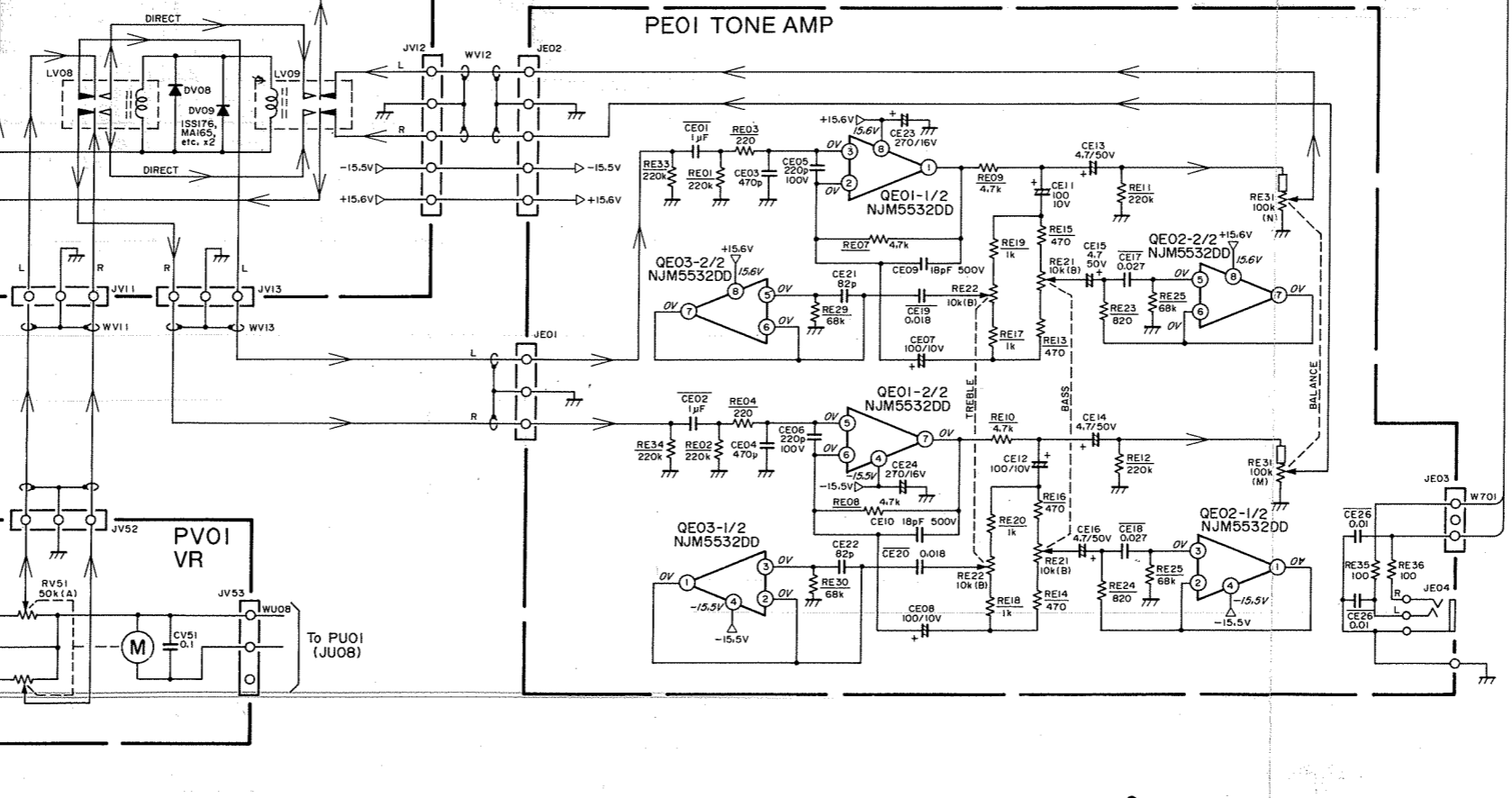
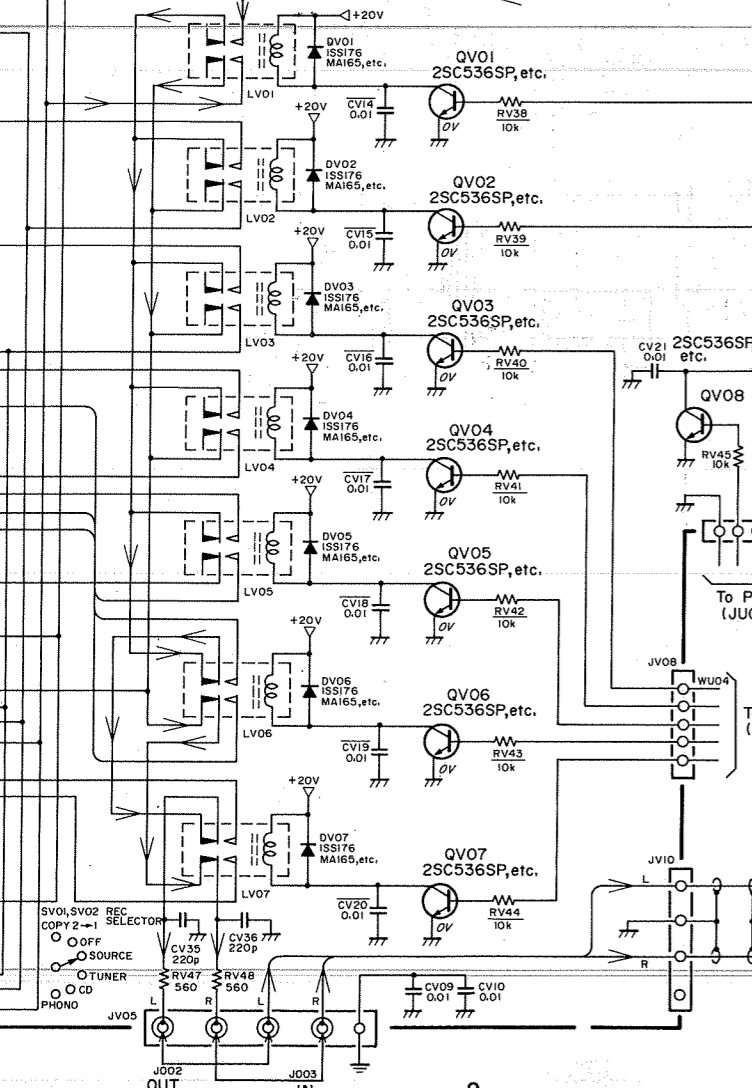
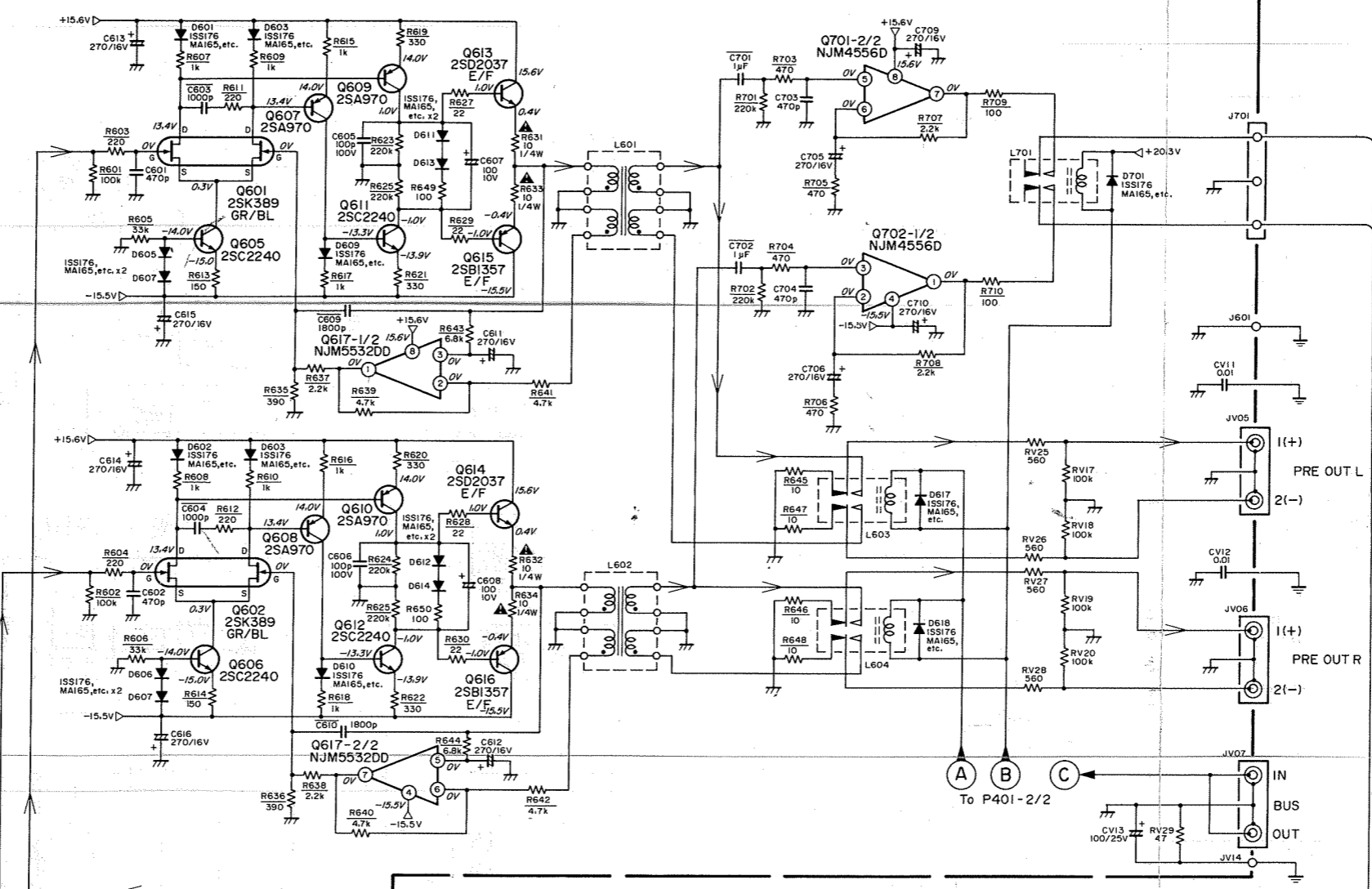
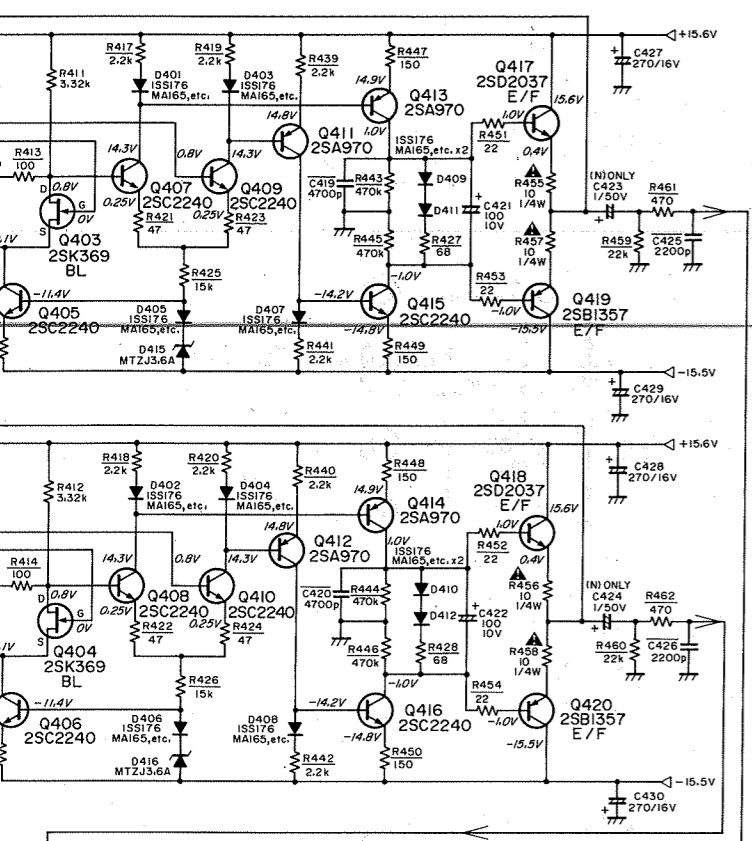
In case of difficulties, do not hesitate to contact the Technical Department at abovementioned address.

1. BLOCK DIAGRAM



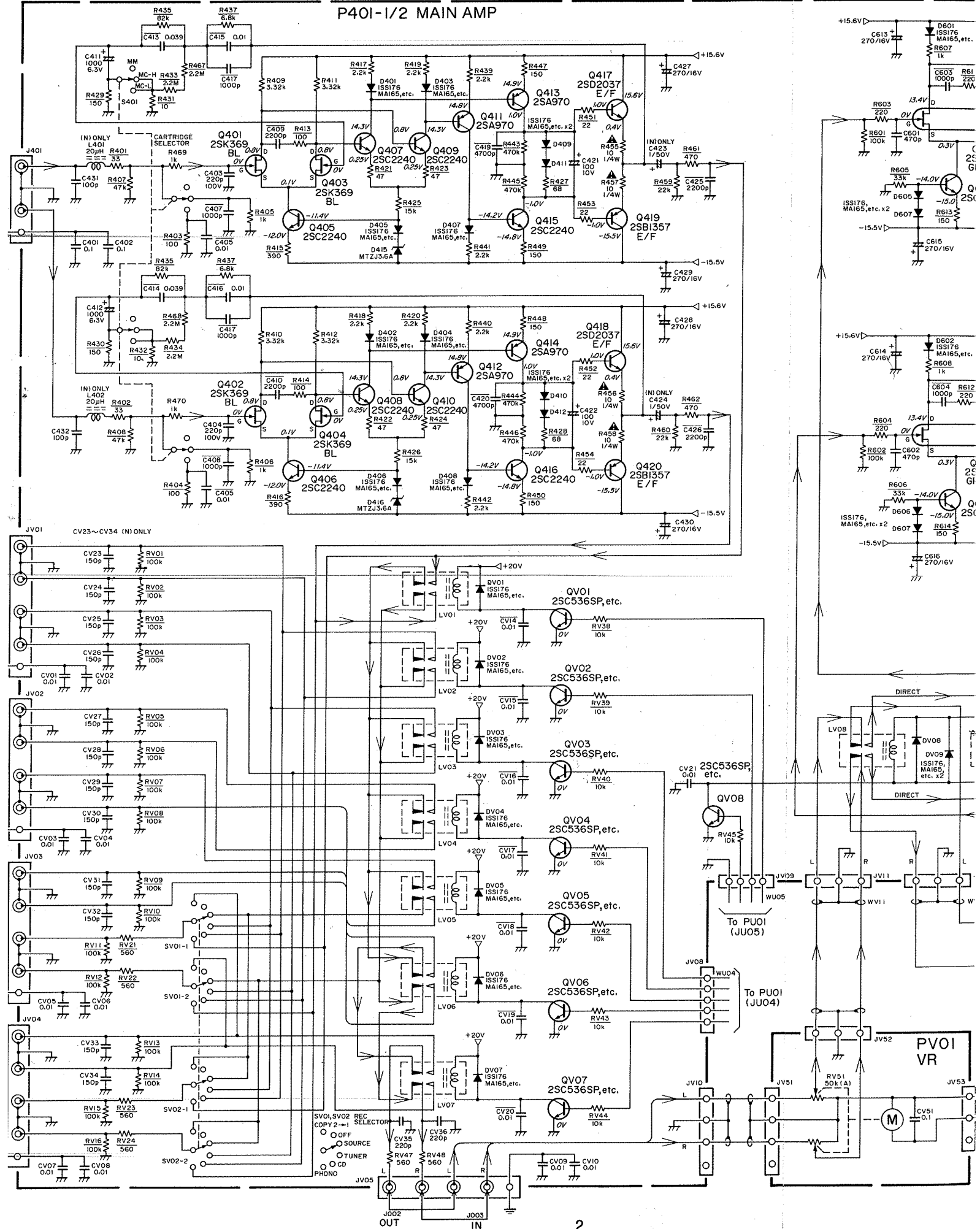
ND PARTS LOCATION (Pattern Side)

P401-1/2 MAIN AMP



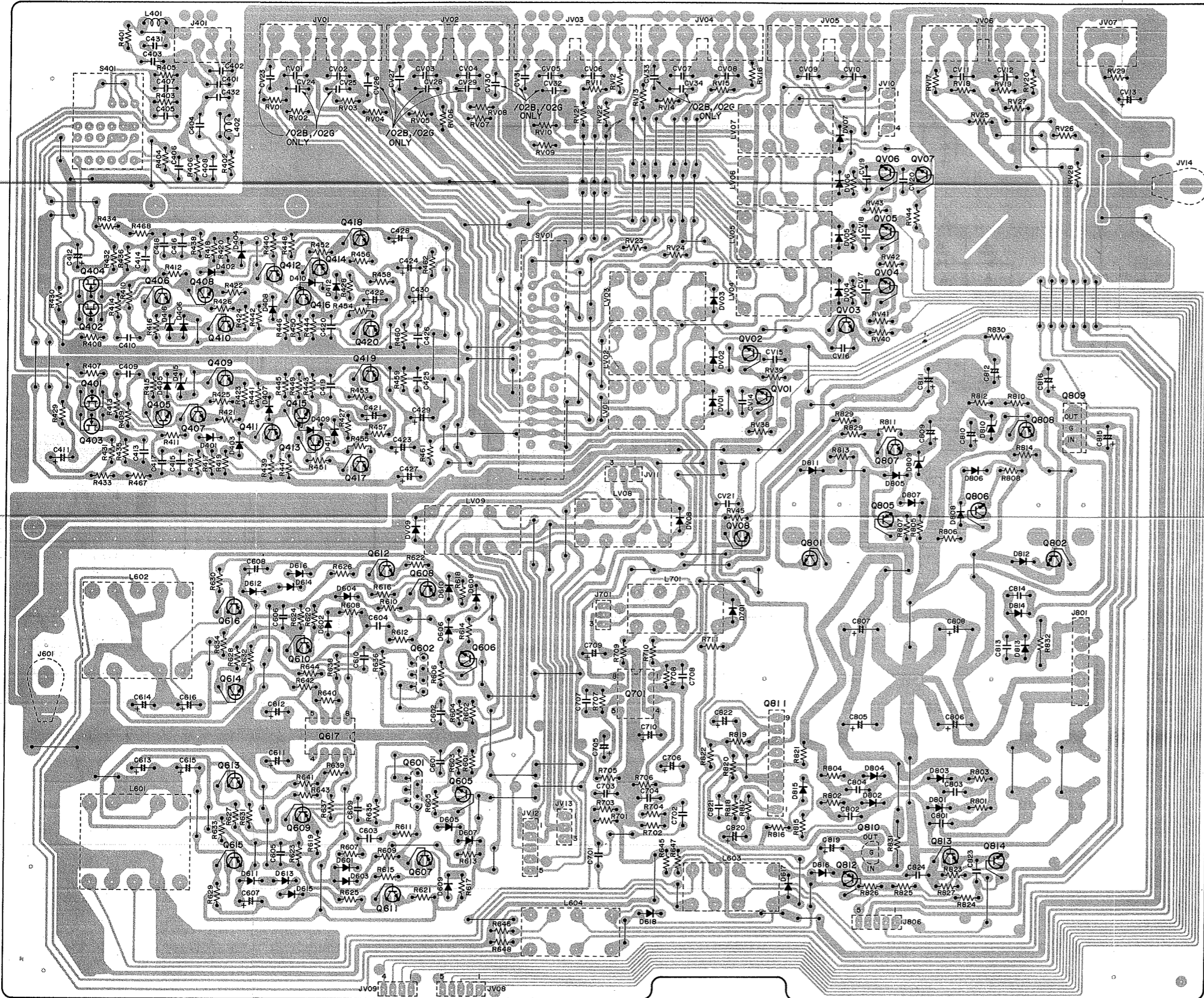
2. SCHEMATIC DIAGRAM AND PARTS LOCATION (Pattern Side)

P401-1/2 MAIN AMP

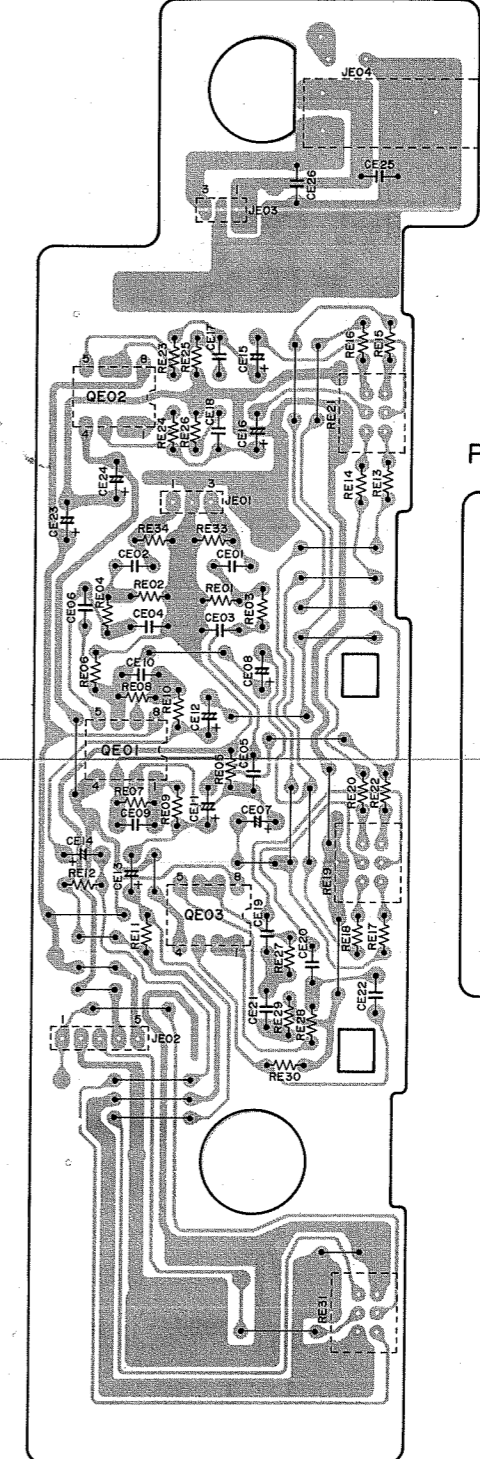


Q401~Q404 Q405~Q410 Q411~Q420 Q608 Q602 Q606 QV02 QV01 QV03 Q805 Q807 QV04~QV07 Q808 Q809
 Q613~Q616 Q610 Q609 Q617 Q612 Q611 Q601 Q607 Q605 QV08 Q811 Q801 Q810 Q812~Q814 Q806 Q802

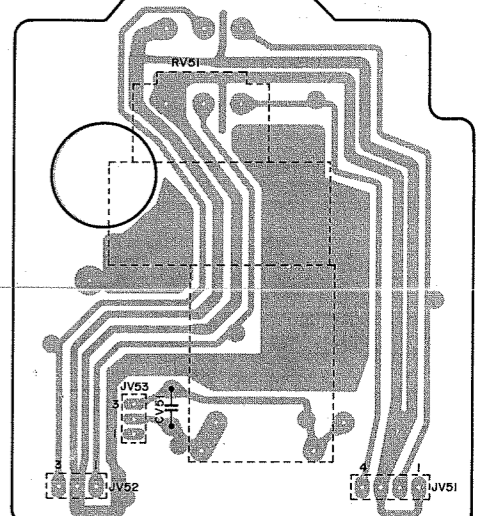
P401

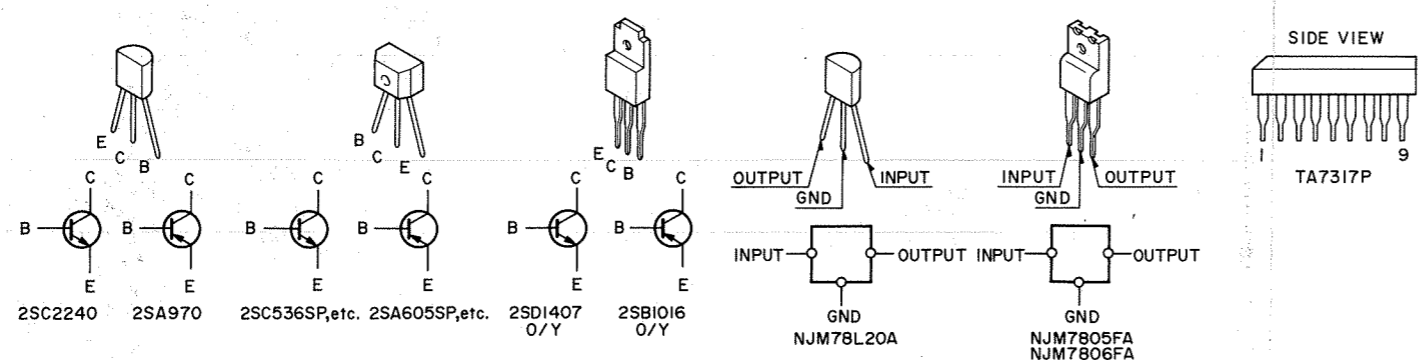
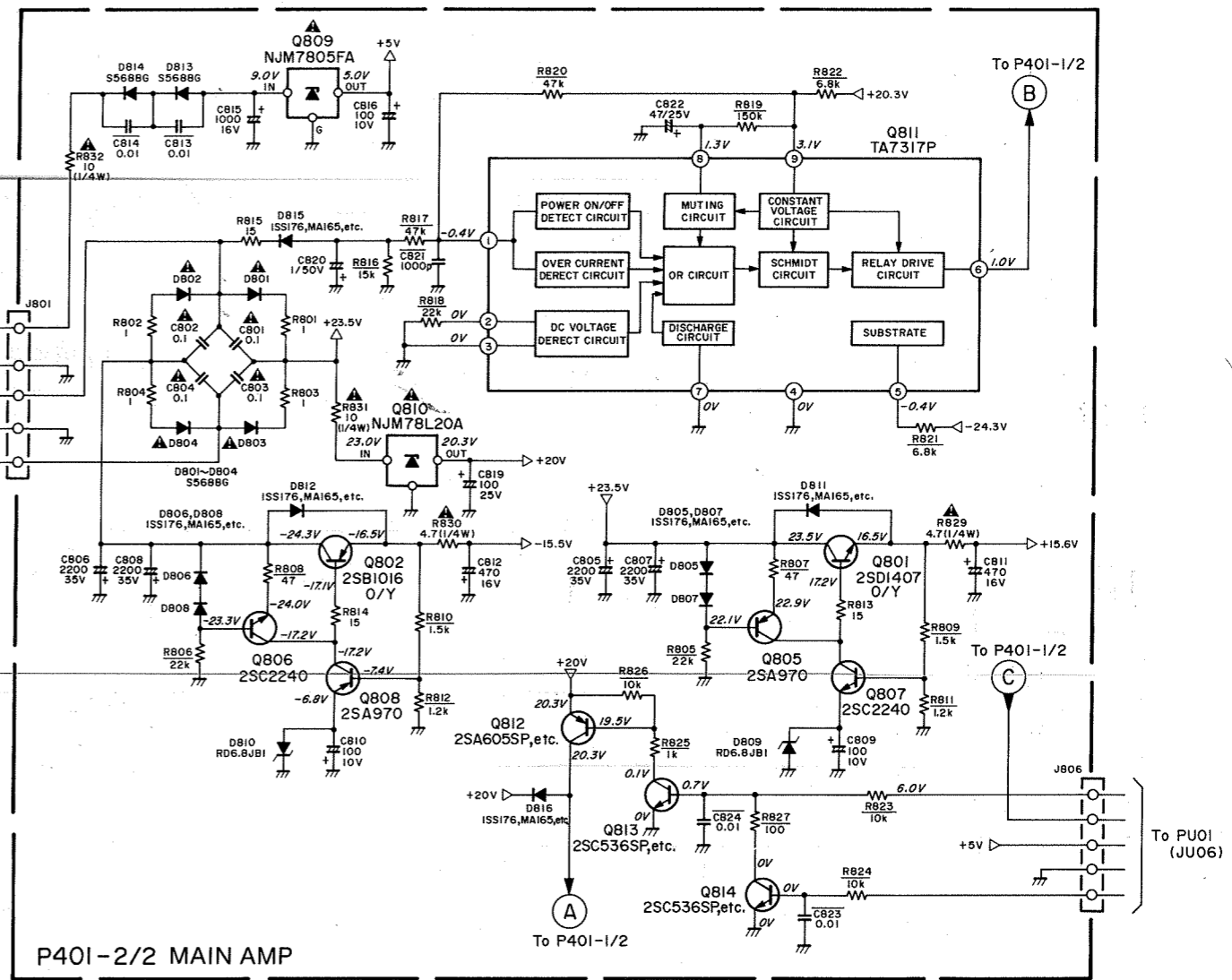
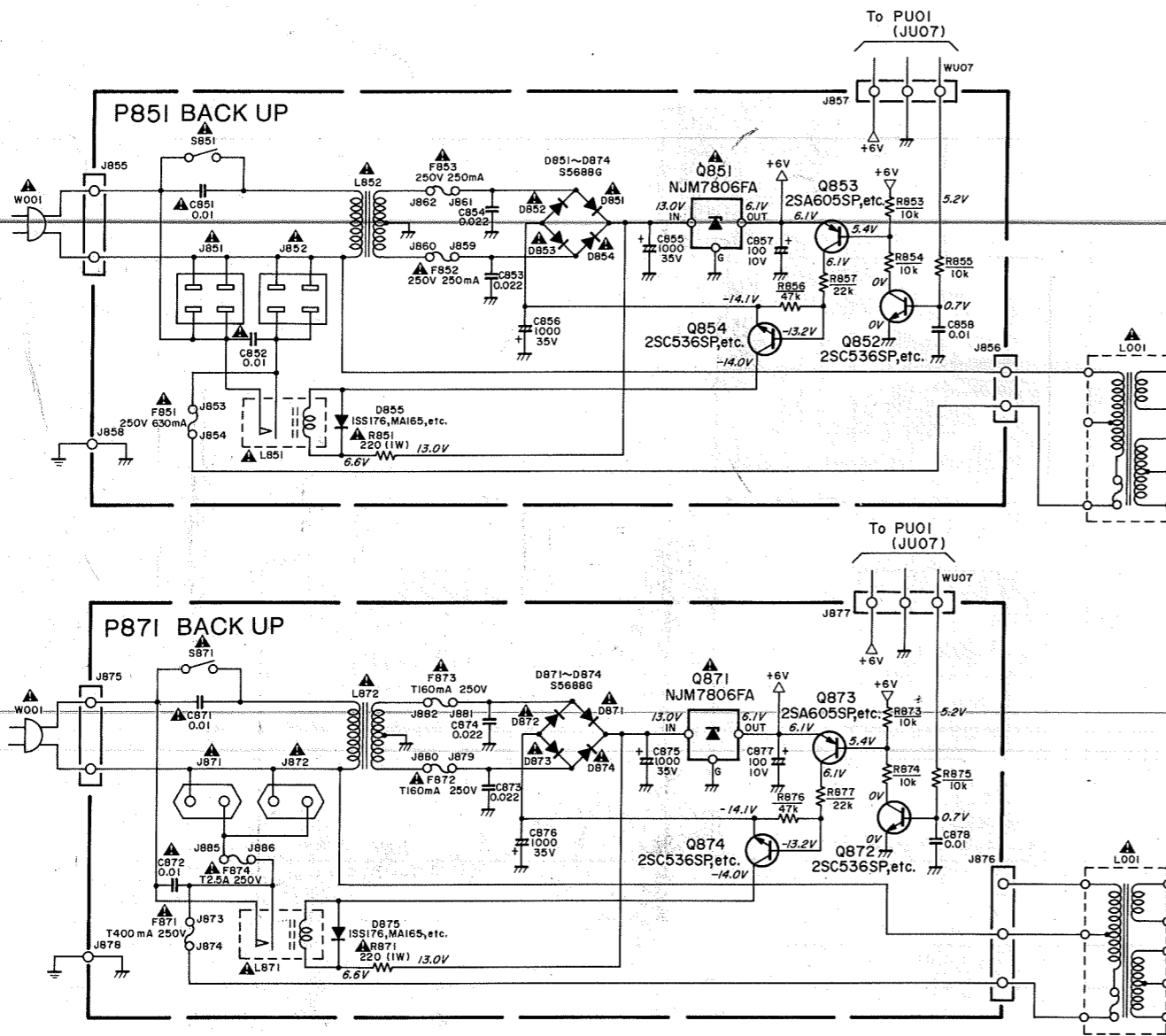


QE02 QE01 QE03
 PE01



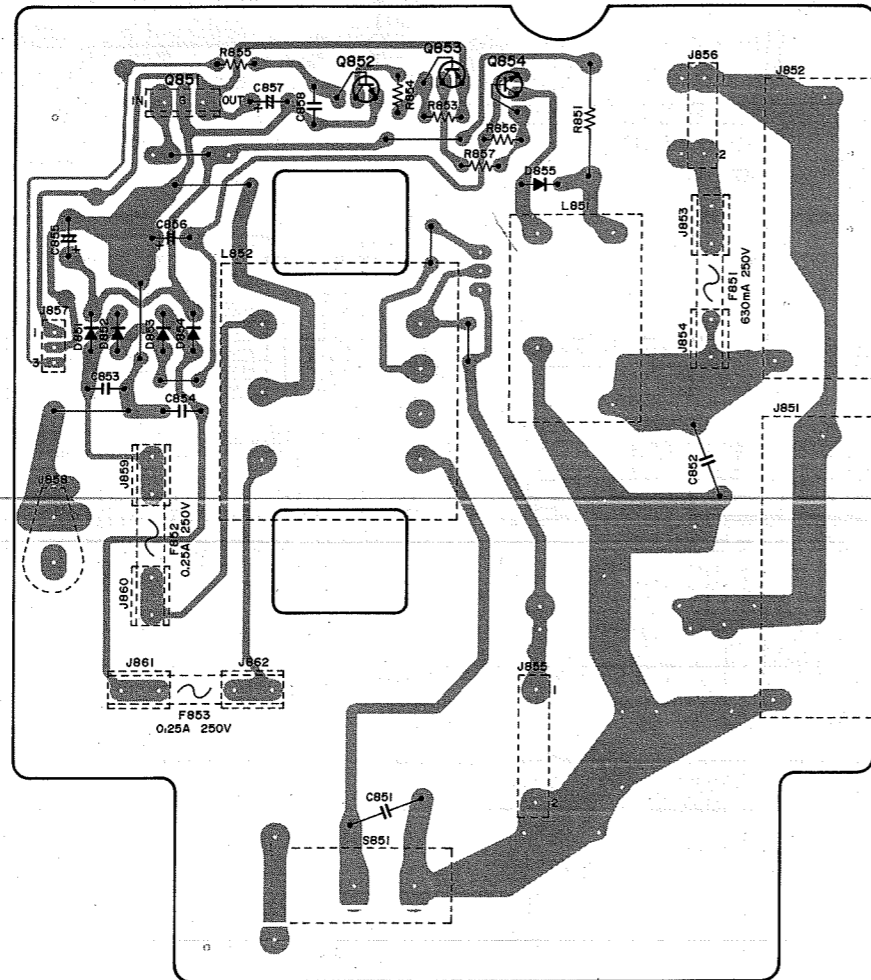
PV01





Q851 Q852 Q853 Q854

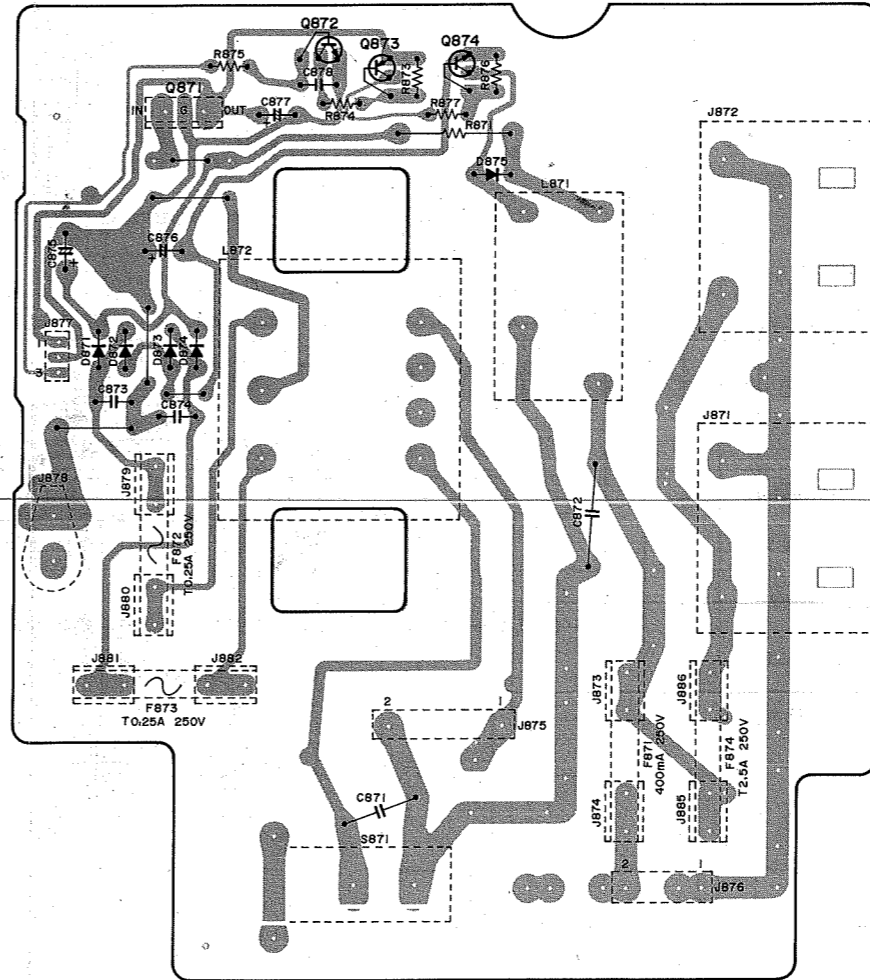
P851



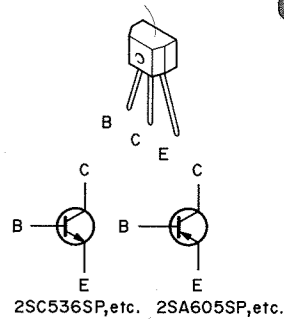
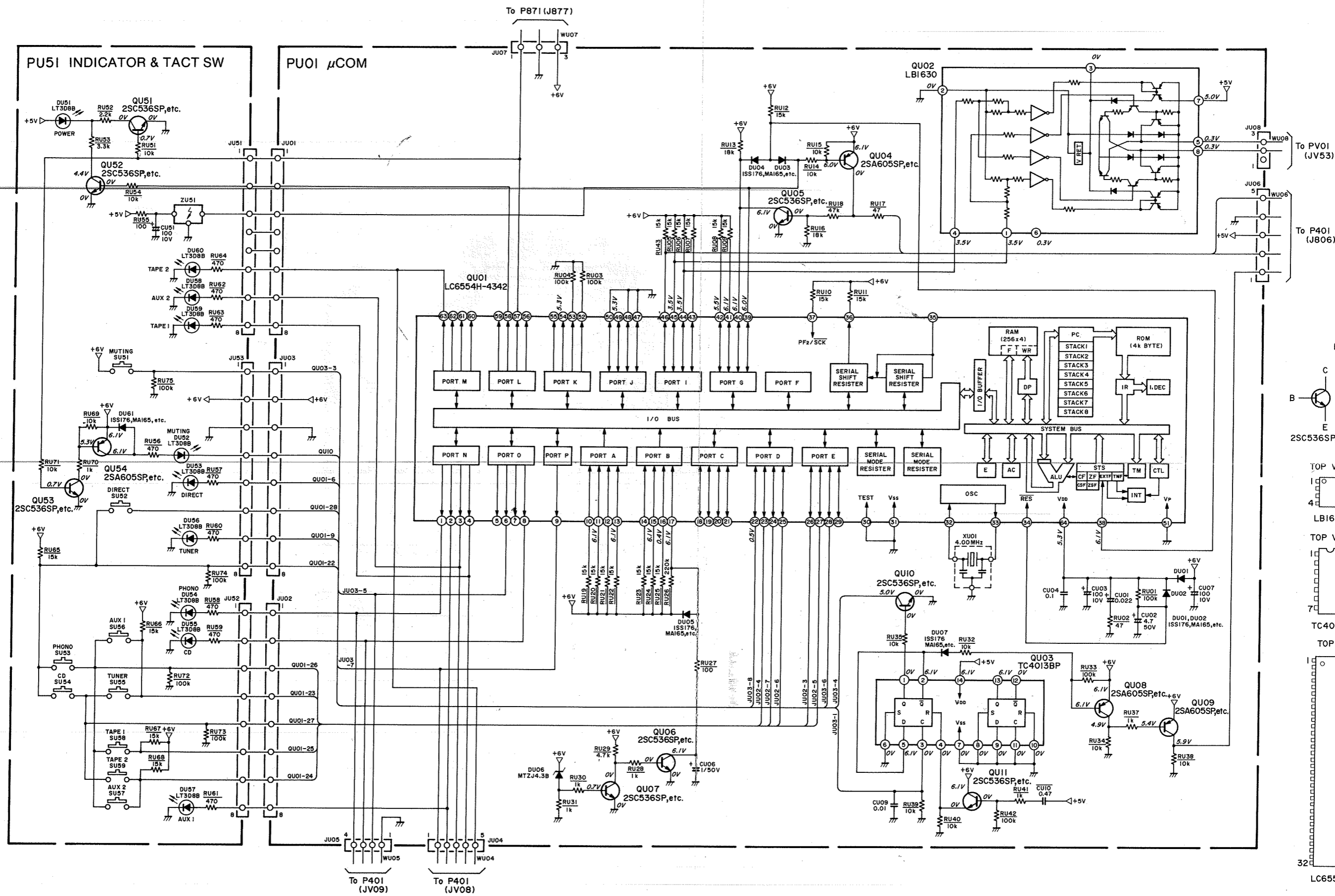
(U) VERSION

Q871 Q872 Q873 Q874

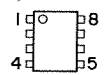
P871



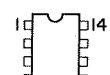
(N) VERSION



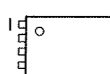
TOP VIEW



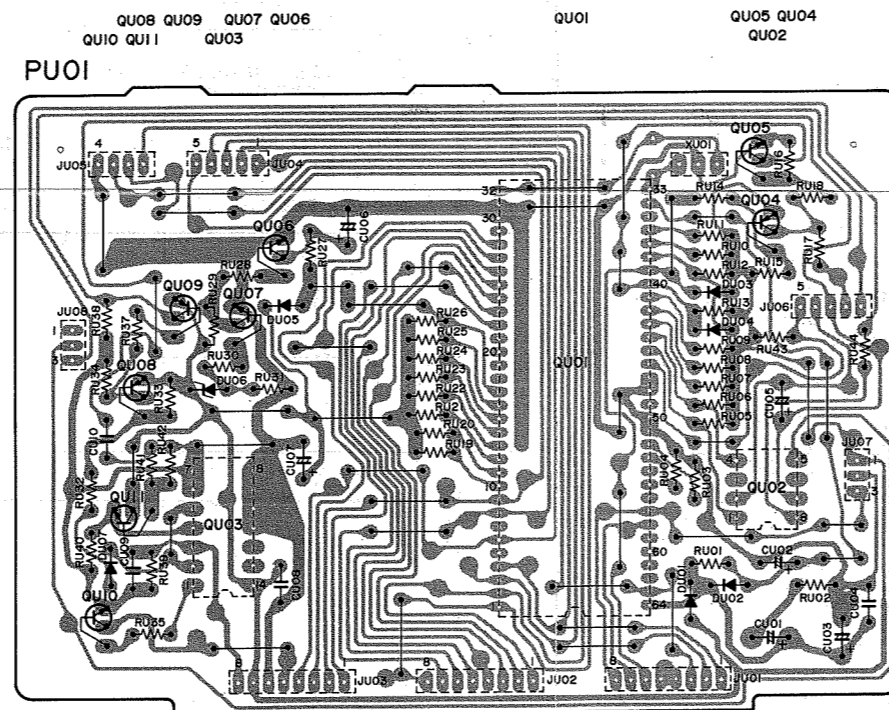
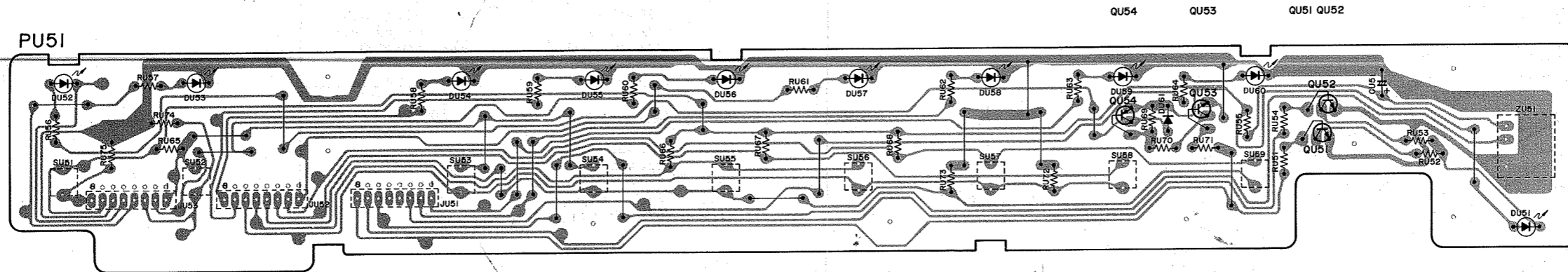
TOP VIEW



TOP VIEW

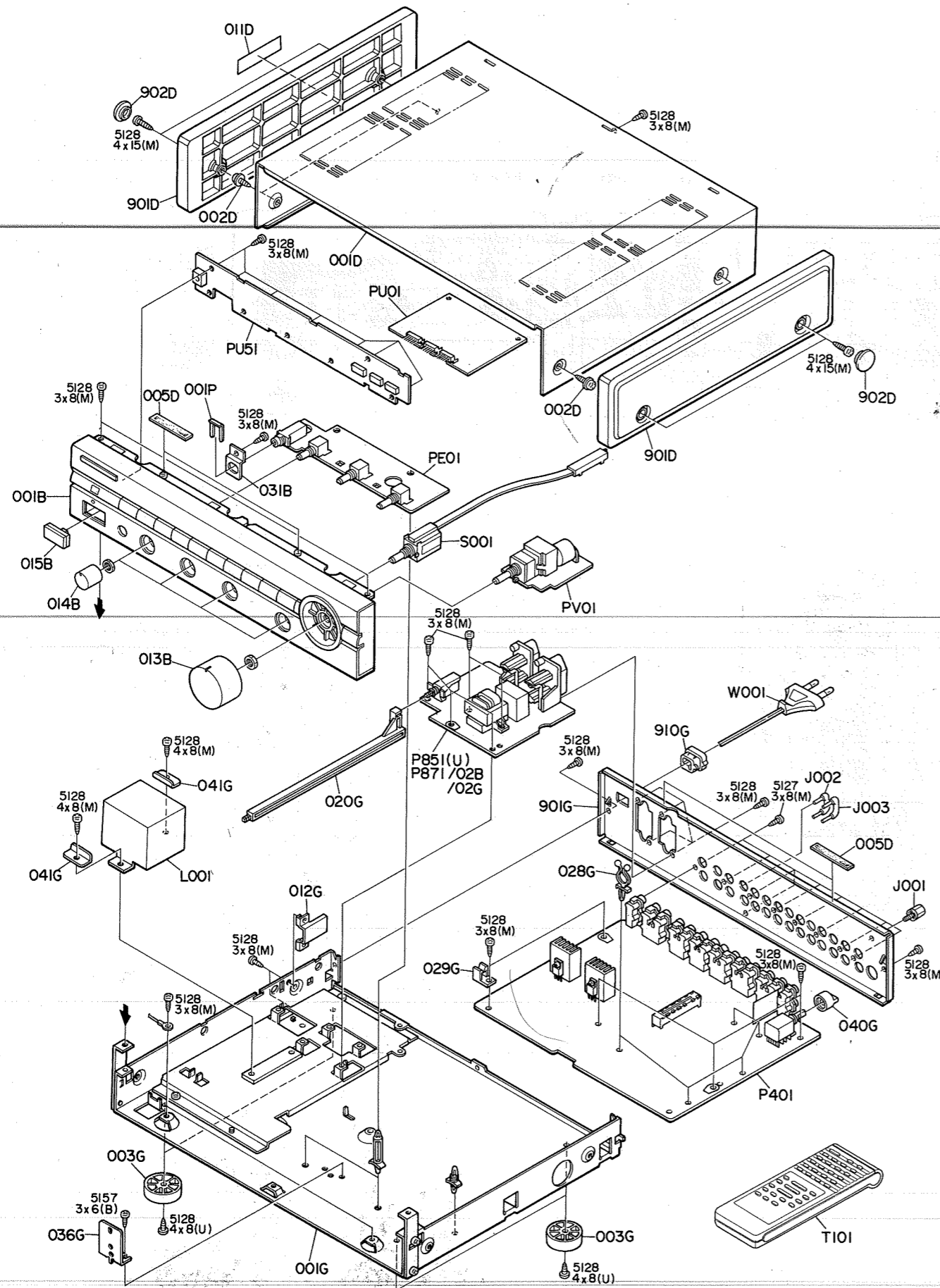


LC6554H-4342



etc.

3. EXPLODED VIEW AND PARTS LIST



| REF. DESIG. | PART NO. | DESCRIPTION |
|-------------|--|--|
| 001B | 4822 447 50128 4822 447 50133 4822 447 50134 | Front Panel Assembly (BLK) /02B Front Panel Assembly (GLD) /02G Front Panel Assembly (BLK) [U] |
| 013B | 4822 413 41542 4822 413 41544 | Knob, Volume (GLD) /02G Knob, Volume (BLK) [U], /02B |
| 014B | 4822 411 10051 4822 413 31551 | Knob, Tone (GLD) /02G Knob, Tone (BLK) [U], /02B |
| 015B | 4822 410 60194 4822 410 60358 | Button, Power (BLK) [U], /02B Button, Power (GLD) /02G |
| 002D | 4822 501 11008 | B.T. Screw (W/W) B4 x 8 [U], /02B |
| 901D | | Side Panel (GLD) /02G |
| 902D | 4822 444 60607 | Cap, Side (GLD) /02G |
| 003G | 4822 462 41402 4822 462 41477 | Leg, Silver [U] Leg, Gold /02B/02G |
| 020G | 4822 402 50237 | Link, Power, Switch |
| 040G | 4822 413 31647 | Knob, Cartridge Selector |
| 910G | 4822 532 60948 | Bushing, AC Cord |
| J002 | 4822 264 10111 | Shote Plug |
| J003 | 4822 264 10111 | Shote Plug |
| ▲ L001 | 4822 146 21584 4822 146 21587 | Power Transformer /02B/02G Power Transformer [U] |
| S001 | 4822 273 10218 | Rotary Switch, Band Selector |
| T101 | 4822 218 10376 4822 218 10377 | Unit K, Remocon /02B/02G Unit K, Remocon [U] |
| 001T | 4822 736 20992 4822 736 20995 | User Manual /02B/92G User Manual [U] |

4. ELECTRICAL PARTS LIST

ASSIGNMENT OF COMMON PARTS CODES.

RESISTOR

- R***:** (1) GD05 --- 140, Carbon film fixed resistor, $\pm 5\%$, 1/4W
R*:** (2) GD05 --- 160, Carbon film fixed resistor, $\pm 5\%$, 1/6W

① — Resistance value

Examples

① Resistance value

| | | | |
|---------------------|---------------------|----------------------|----------------------|
| 0.1 Ω ...001 | 10 Ω ...100 | 1k Ω ...102 | 100k Ω ...104 |
| 0.5 Ω ...005 | 18 Ω ...180 | 2.7k Ω ...272 | 680k Ω ...684 |
| 1 Ω ...010 | 100 Ω ...101 | 10k Ω ...103 | 1M Ω ...105 |
| 6.8 Ω ...068 | 390 Ω ...391 | 22k Ω ...223 | 4.7M Ω ...475 |

(Note) Please distinguish 1/4W from 1/6W by the shape of parts used actually.

C***: CERAMIC CAP.

- (1) DD1 --- 370, Ceramic condenser
 Disc type
 Temp. coeff. P350 ~ N1000, 50V
- ① ②
- Capacity value
 Tolerance

Examples

- ① Tolerance (Capacity deviation)
- $\pm 0.25\text{pF}$...0
 - $\pm 0.5\text{pF}$...1
 - $\pm 5\%$...5

* Tolerance of COMMON PARTS handled here are as follows:

- 0.5pF ~ 5pF... $\pm 0.25\text{pF}$
 - 6pF ~ 10pF... $\pm 0.5\text{pF}$
 - 12pF ~ 560pF... $\pm 5\%$
- ② Capacity value
- | | | |
|-------------|------------|-------------|
| 0.5pF...005 | 3pF...030 | 100pF...101 |
| 1pF...010 | 10pF...100 | 220pF...221 |
| 1.5pF...015 | 47pF...470 | 560pF...561 |

C***: CERAMIC CAP.

- (1) DK16 --- 300, High dielectric constant ceramic condenser
 Disc type
 Temp. chara. 2B4, 50V
- ①
- Capacity value

Example

- ② Capacity value
- | | | |
|-------------|--------------|---------------|
| 100pF...101 | 1000pF...102 | 10000pF...103 |
| 470pF...471 | 2200pF...222 | |

C***: ELECTROLY CAP. (---), FILM CAP. (---)

- (1) EA --- 10, Electrolytic condenser
 One-way lead type, Tolerance $\pm 20\%$
- ① ②
- Dielectric strength
 Capacity value

Examples

- ① Capacity value
- | | | |
|---------------------------|--------------------------|---------------------------|
| 0.1 μF ...104 | 4.7 μF ...475 | 100 μF ...107 |
| 0.33 μF ...334 | 10 μF ...106 | 330 μF ...337 |
| 1 μF ...105 | 22 μF ...226 | 1100 μF ...108 |
| | | 2200 μF ...228 |

- ② Working voltage
- | | |
|------------|-----------|
| 6.3V...006 | 25V...025 |
| 10V...010 | 35V...035 |
| 16V...016 | 50V...050 |

- (2) DF15 --- 350, Plastic film condenser
 One-way type, Mylar $\pm 5\%$ 50V
- ①
- Capacity value

Examples

- ① Capacity value
- | | |
|-------------------------------------|---------------------------|
| 0.001 μF (1000pF) ...102 | 0.1 μF ...104 |
| 0.0018 μF ...182 | 0.56 μF ...564 |
| 0.01 μF ...103 | 1 μF ...105 |
| 0.015 μF ...153 | |

| REF. DESIG. | PART NO. | DESCRIPTION |
|-------------|----------------|--|
| | | PE01-TONE AMP CIRCUIT BOARD |
| | | PE01-CAPACITORS |
| CE03 | 4822 121 42327 | Film 470pF $\pm 5\%$ |
| CE04 | 4822 121 42327 | Film 470pF $\pm 5\%$ |
| CE05 | 4822 121 42344 | Film 220pF $\pm 5\%$ |
| CE06 | 4822 121 42344 | Film 220pF $\pm 5\%$ |
| CE07 | 4822 124 23516 | Elect 100 μF 10V |
| CE08 | 4822 124 23516 | Elect 100 μF 10V |
| CE09 | 4822 121 43811 | Mica 18pF $\pm 5\%$ |
| CE10 | 4822 121 43811 | Mica 18pF $\pm 5\%$ |
| CE11 | 4822 124 23516 | Elect 100 μF 10V |
| CE12 | 4822 124 23516 | Elect 100 μF 10V |
| CE13 | | |
| CE16 | 4822 124 23521 | Elect 4.7 μF 35V |
| CE21 | | Ceramic 82pF $\pm 5\%$ |
| CE22 | | Ceramic 82pF $\pm 5\%$ |
| CE23 | 4822 124 23519 | Elect 270 μF 16V |
| CE24 | 4822 124 23519 | Elect 270 μF 16V |
| | | PE01-RESISTORS |
| RE21 | 4822 101 30735 | 10K Ω (B)x2, Variable |
| RE22 | 4822 101 30735 | 10K Ω (B)x2, Variable |
| RE31 | 4822 100 30138 | 100K Ω (MN)x2, Variable |
| | | PE01-SEMICONDUCTORS |
| QE01 | 4822 209 63174 | IC NJM5532DD |
| QE02 | 4822 209 83631 | IC NMJ4558DD |
| QE03 | 4822 209 83631 | IC NJM4558DD |
| | | PE01-MISCELLANEOUS |
| JE04 | 4822 267 31274 | Jack, Phones |
| | | PU01-μ COM CIRCUIT BOARD |
| | | PU01-CAPACITORS |
| CU01 | 4822 124 23295 | Big Elect 0.022 μF 5V |
| CU02 | 4822 124 22274 | Elect 4.7 μF 50V |
| CU03 | 4822 124 90353 | Elect 100 μF 10V |
| CU04 | 4822 122 40617 | Ceramic 0.1 μF +80% -20% |
| CU05 | 4822 124 90353 | Elect 100 μF 10V |
| CU06 | 4822 124 41543 | Elect 1 μF 50V |
| CU07 | 4822 124 90353 | Elect 100 μF 10V |
| CU08 | 4822 122 32486 | Ceramic 0.01 μF +80% -20% |
| CU09 | 4822 122 32486 | Ceramic 0.01 μF +80% -20% |
| | | PU01-SEMICONDUCTORS |
| DU01 | | Diode 1SS176, etc. |
| DU05 | 4822 130 33305 | Zener MTZJ4.3B |
| DU06 | 4822 130 31554 | Diode 1SS176, etc. |
| DU07 | 4822 130 33305 | Diode 1SS176, etc. |
| QU01 | 4822 209 62424 | Microprocessor LC6554H-4342 |
| QU02 | 4822 209 73287 | IC LB1630 |
| QU03 | 4822 209 80618 | IC TC4013BP |
| QU04 | 4822 130 42715 | Transistor 2SA608SP, etc. |
| QU05 | 4822 130 42298 | Transistor 2SC536SP, etc. |
| QU06 | 4822 130 42298 | Transistor 2SC536SP, etc. |
| QU07 | 4822 130 42298 | Transistor 2SC536SP, etc. |
| QU08 | 4822 130 42715 | Transistor 2SA608SP, etc. |
| QU09 | 4822 130 42715 | Transistor 2SA608SP, etc. |
| QU10 | 4822 130 42298 | Transistor 2SC536SP, etc. |
| QU11 | 4822 130 42298 | Transistor 2SC536SP, etc. |
| | | PU01-MISCELLANEOUS |
| XU01 | 4822 242 72223 | Ceramic Vibrator 4.00MHz |

| REF. DESIG. | PART NO. | DESCRIPTION |
|-------------|----------------|----------------------------------|
| CU51 | 4822 124 90353 | Elect Cap. 100μF 10V |
| DU51 | 4822 130 80326 | L.E.D. LT3D8B |
| DU60 | 4822 130 33305 | Diode 1SS176, etc. |
| QU51 | 4822 130 42298 | Transistor 2SC536SP, etc. |
| QU52 | 4822 130 42298 | Transistor 2SC536SP, etc. |
| QU53 | 4822 130 42298 | Transistor 2SC536SP, etc. |
| QU54 | 4822 130 42715 | Transistor 2SA608SP, etc. |
| SU51 | 4822 276 12455 | Push Switch Tact |
| SU59 | | |
| ZU51 | | Photo Unit, IR Sensor |
| CV51 | 4822 122 40617 | Ceramic Cap. 0.1μF +80% -20% |
| RV51 | 4822 101 30736 | Variable Resistor 50KΩ(A), Motor |
| CV01 | 4822 122 32486 | Ceramic 0.01μF +80% -20% |
| CV12 | 4822 124 41535 | Elect 100μF 25V |
| CV13 | 4822 124 41535 | Elect 100μF 25V |
| CV23 | 4822 122 31626 | Ceramic 100pF ±5% /02B/02G |
| CV34 | 4822 122 31626 | Ceramic 100pF ±5% /02B/02G |
| C401 | 4822 122 40617 | Ceramic 0.1μF +80% -20% |
| C402 | 4822 122 40617 | Ceramic 0.1μF +80% -20% |
| C403 | 4822 121 42344 | Film 220pF ±5% |
| C404 | 4822 121 42344 | Film 220pF ±5% |
| C411 | 4822 124 23517 | Elect 1000μF 6.3V |
| C412 | 4822 124 23517 | Elect 1000μF 6.3V |
| C421 | 4822 124 23516 | Elect 100μF 10V |
| C422 | 4822 124 23516 | Elect 100μF 10V |
| C423 | 4822 124 41543 | Elect 1μF 50V /02B/02G |
| C423 | 4822 124 23521 | Elect 4.7μF 35V [U] |
| C424 | 4822 124 41543 | Elect 1μF 50V /02B/02G |
| C424 | 4822 124 23521 | Elect 4.7μF 35V [U] |
| C427 | 4822 124 23519 | Elect 270μF 16V |
| C430 | 5322 122 31626 | Ceramic 100pF ±5% /02B/02G |
| C431 | 5322 122 31626 | Ceramic 100pF ±5% /02B/02G |
| C432 | 5322 122 31626 | Ceramic 100pF ±5% /02B/02G |
| C601 | 4822 121 42327 | Film 470pF ±5% |
| C602 | 4822 121 42327 | Film 470pF ±5% |
| C605 | 4822 121 42712 | Film 100pF ±5% |
| C606 | 4822 121 42712 | Film 100pF ±5% |
| C607 | 4822 124 23516 | Elect 100μF 10V |
| C608 | 4822 124 23516 | Elect 100μF 10V |
| C611 | 4822 124 23519 | Elect 270μF 16V |
| C616 | | |

| REF. DESIG. | PART NO. | DESCRIPTION |
|-------------|----------------|-------------------------|
| C703 | 4822 121 42327 | Film 470pF ±5% |
| C704 | 4822 121 42327 | Film 470pF ±5% |
| C705 | 4822 124 23519 | Elect 270μF 16V |
| C706 | 4822 124 23519 | Elect 270μF 16V |
| C707 | | Mica 18pF ±5% |
| C708 | | Mica 18pF ±5% |
| C709 | 4822 124 23519 | Elect 270μF 16V |
| C710 | 4822 121 23519 | Elect 270μF 16V |
| ▲ C801 | 4822 122 40617 | Ceramic 0.1μF +80% -20% |
| ▲ C804 | | |
| C805 | 4822 124 23518 | Elect 2200μF 35V |
| C808 | | |
| C809 | 4822 124 23516 | Elect 100μF 10V |
| C810 | 4822 124 23516 | Elect 100μF 10V |
| C811 | 4822 124 23522 | Elect 470μF 16V |
| C812 | 4822 124 23522 | Elect 470μF 16V |
| C815 | 4822 124 22722 | Elect 1000μF 16V |
| C816 | 4822 124 23516 | Elect 100μF 10V |
| C819 | 4822 124 41535 | Elect 100μF 25V |
| C820 | 4822 124 41543 | Elect 1μF 50V |
| C822 | 4822 124 22698 | Elect 47μF 25V |
| R409 | | 3.32KΩ ±10% 1/6W |
| R412 | | |
| ▲ R455 | | 15Ω ±5% 1/6W |
| ▲ R458 | | |
| ▲ R631 | | 15Ω ±5% 1/6W |
| ▲ R634 | | |
| R801 | | 1Ω ±5% 1/6W |
| R804 | | |
| R813 | | 15Ω ±5% 1/6W |
| R814 | | 15Ω ±5% 1/6W |
| R815 | | 4.7Ω ±5% 1/6W |
| ▲ R829 | 4822 111 90967 | 4.7Ω ±5% 1/4W, Fuse |
| ▲ R830 | 4822 111 90967 | 4.7Ω ±5% 1/4W, Fuse |
| ▲ R831 | 4822 115 90166 | 10Ω ±2% 1/4W, Fuse |
| ▲ R832 | 4822 115 90166 | 10Ω ±2% 1/4W, Fuse |
| DV01 | 4822 130 33305 | Diode 1SS176, etc. |
| DV09 | | |
| D401 | 4822 130 33305 | Diode 1SS176, etc. |
| D414 | | |
| D601 | 4822 130 33305 | Diode 1SS176, etc. |
| D618 | 4822 130 33305 | Diode 1SS176, etc. |
| D701 | 4822 130 33305 | Diode 1SS176, etc. |
| ▲ D801 | 4822 130 80839 | Diode S5688G |
| ▲ D804 | | |
| D805 | 4822 130 33305 | Diode 1SS176, etc. |
| D808 | 4822 130 82363 | Zener RD6.8JB1 |
| D809 | 4822 130 82363 | Zener RD6.8JB1 |
| D810 | 4822 130 33305 | Diode 1SS176, etc. |
| D811 | 4822 130 33305 | Diode 1SS176, etc. |
| D812 | 4822 130 33305 | Diode 1SS176, etc. |

| REF. DESIG. | PART NO. | DESCRIPTION |
|-------------|----------------|----------------------------|
| D813 | 4822 130 80839 | Diode S5688G |
| D814 | 4822 130 80839 | Diode S5688G |
| D815 | 4822 130 33305 | Diode 1SS176, etc. |
| D816 | 4822 130 33305 | Diode 1SS176, etc. |
| QV01 | 4822 130 42298 | Transistor 2SC536SP, etc. |
| QV08 | | |
| Q401 | 4822 130 42839 | F.E.T. 2SK369BL |
| Q404 | | |
| Q405 | 4822 130 43233 | Transistor 2SC2240(GR, BL) |
| Q410 | | |
| Q411 | 4822 130 42951 | Transistor 2SA970(GR, BL) |
| Q414 | | |
| Q415 | 4822 130 43233 | Transistor 2SC2240(GR, BL) |
| Q416 | 4822 130 43233 | Transistor 2SC2240(GR, BL) |
| Q417 | 4822 130 61179 | Transistor 2SD2037(E, F) |
| Q418 | 4822 130 61179 | Transistor 2SD2037(E, F) |
| Q419 | 4822 130 61176 | Transistor 2SB1357(E, F) |
| Q420 | 4822 130 61176 | Transistor 2SB1357(E, F) |
| Q601 | 4822 130 42843 | F.E.T. 2SK389(GR, BL) |
| Q602 | 4822 130 42843 | F.E.T. 2SK389(GR, BL) |
| Q605 | 4822 130 43233 | Transistor 2SC2240(GR, BL) |
| Q606 | 4822 130 43233 | Transistor 2SC2240(GR, BL) |
| Q607 | 4822 130 42951 | Transistor 2SA970(GR, BL) |
| Q608 | 4822 130 42951 | Transistor 2SA970(GR, BL) |
| Q609 | 4822 130 42951 | Transistor 2SA970(GR, BL) |
| Q610 | 4822 130 42951 | Transistor 2SA970(GR, BL) |
| Q611 | 4822 130 43233 | Transistor 2SC2240(GR, BL) |
| Q612 | 4822 130 43233 | Transistor 2SC2240(GR, BL) |
| Q613 | 4822 130 61179 | Transistor 2SD2037(E, F) |
| Q614 | 4822 130 61179 | Transistor 2SD2037(E, F) |
| Q615 | 4822 130 61176 | Transistor 2SB1357(E, F) |
| Q616 | 4822 130 61176 | Transistor 2SB1357(E, F) |
| Q617 | | IC NJM5532DD |
| Q701 | 4822 209 83654 | IC NJM4556D |
| Q801 | 4822 130 43311 | Transistor 2SC3298(O, Y) |
| Q802 | 4822 130 43023 | Transistor 2SA1306(O, Y) |
| Q805 | 4822 130 42951 | Transistor 2SA970(GR, BL) |
| Q806 | 4822 130 43233 | Transistor 2SC2240(GR, BL) |
| Q807 | 4822 130 43233 | Transistor 2SC2240(GR, BL) |
| Q808 | 4822 130 42951 | Transistor 2SA970(GR, BL) |
| ▲ Q809 | 4822 209 71903 | IC NJM7805FA |
| ▲ Q810 | 4822 209 63339 | IC NJM78L20A |
| Q811 | 4822 209 83312 | IC TA7317P |
| Q812 | 4822 130 42715 | Transistor 2SA608SP, etc. |
| Q813 | 4822 130 42298 | Transistor 2SC536SP, etc. |
| Q814 | 4822 130 42298 | Transistor 2SC536SP, etc. |
| JV01 | 4822 265 30587 | Terminal, 4P RCA Pin |
| JV06 | | |
| JV07 | 4822 266 30274 | Terminal, 2P RCA Pin |
| J401 | 4822 266 30282 | Terminal, 2P RCA Pin |
| LV01 | 4822 280 20464 | Relay |
| LV09 | | |

| REF. DESIG. | PART NO. | DESCRIPTION |
|-------------|----------------|---------------------------|
| L401 | 4822 158 60606 | Choke Coil, 20μH /02B/02G |
| L402 | 4822 158 60606 | Choke Coil, 20μH /02B/02G |
| L601 | 4822 140 10411 | Output Transformer |
| L602 | 4822 140 10411 | Output Transformer |
| L603 | 4822 280 20464 | Relay |
| L604 | 4822 280 20464 | Relay |
| L701 | 4822 280 20464 | Relay |
| SV01 | 4822 277 21116 | Slide Switch |
| S401 | | Rotary Switch, MM/MC |
| ▲ C851 | | Ceramic 0.01μF +80% -20% |
| ▲ C852 | 4822 121 43732 | Film 0.01μF ±20% |
| C853 | 4822 122 40491 | Ceramic 0.022μF +80% -20% |
| C854 | 4822 122 40491 | Ceramic 0.022μF +80% -20% |
| C855 | 4822 124 90356 | Elect 1000μF 35V |
| C856 | 4822 124 90356 | Elect 1000μF 35V |
| C857 | 4822 124 90353 | Elect 100μF 10V |
| C858 | 4822 122 32486 | Ceramic 0.01μF +80% -20% |
| ▲ R851 | 4822 116 60246 | 220Ω ±5% 1W |
| ▲ D851 | 4822 130 80839 | Diode S5688G |
| ▲ D854 | | |
| ▲ D855 | 4822 130 33305 | Diode 1SS176, etc. |
| ▲ Q851 | 4822 209 61533 | IC NJM7806FA |
| Q852 | 4822 130 42298 | Transistor 2SC536SP, etc. |
| Q853 | 4822 130 42715 | Transistor 2SA608SP, etc. |
| Q854 | 4822 130 42298 | Transistor 2SC536SP, etc. |
| ▲ F851 | | Fuse 630mA 250V |
| ▲ F852 | 4822 253 30355 | Fuse 0.25A 250V |
| ▲ F853 | 4822 253 30355 | Fuse 0.25A 250V |
| ▲ J851 | | Jack, AC Outlet |
| ▲ J852 | | Jack, AC Outlet |
| ▲ L851 | | Relay |
| ▲ L852 | 4822 146 21577 | Power Transformer |
| ▲ S851 | 4822 276 12925 | Push Switch |
| ▲ C871 | | Ceramic 0.01μF +80% -20% |
| ▲ C872 | 4822 121 43732 | Film 0.01μF ±20% |
| C873 | 4822 122 40491 | Ceramic 0.022μF +80% -20% |
| C874 | 4822 122 40491 | Ceramic 0.022μF +80% -20% |
| C875 | 4822 124 90356 | Elect 1000μF 35V |
| C876 | 4822 124 90356 | Elect 1000μF 35V |
| C877 | 4822 124 90353 | Elect 100μF 10V |
| C878 | 4822 122 32486 | Ceramic 0.01μF +80% -20% |
| ▲ R871 | 4822 116 60246 | 220Ω ±5% 1W |

| REF. DESIG. | PART NO. | DESCRIPTION |
|----------------------------|----------------|---------------------------|
| P871-SEMICONDUCTORS | | |
| ▲ D871 ? | 4822 130 80839 | Diode S5688G |
| ▲ D874 | | |
| ▲ D875 | 4822 130 33305 | Diode 1SS176, etc. |
| ▲ Q871 | 4822 209 61533 | IC NJM7806FA |
| Q872 | 4822 130 42298 | Transistor 2SC536SP, etc. |
| Q873 | 4822 130 42715 | Transistor 2SA608SP, etc. |
| Q874 | 4822 130 42298 | Transistor 2SC536SP, etc. |
| P871-MISCELLANEOUS | | |
| ▲ F871 | | Fuse 400mA 250V |
| ▲ F872 | 4822 253 30209 | Fuse T250mA 250V |
| ▲ F873 | 4822 253 30209 | Fuse T250mA 250V |
| ▲ F874 | 4822 253 40166 | Fuse T2.5A 250V |
| ▲ J871 | 4822 267 31194 | Jack, AC Outlet |
| ▲ J872 | 4822 267 31194 | Jack, AC Outlet |
| ▲ L871 | 4822 280 20459 | Relay |
| ▲ L872 | 4822 146 21569 | Power Transformer |
| ▲ S871 | 4822 276 12925 | Push Switch |

NOTE ON SAFETY:

Symbol ▲ Fire or electrical shock hazard. Only original parts should be used to replace any part marked with symbol ▲. Any other component substitution (other than original type), may increase risk of fire or electrical shock hazard.